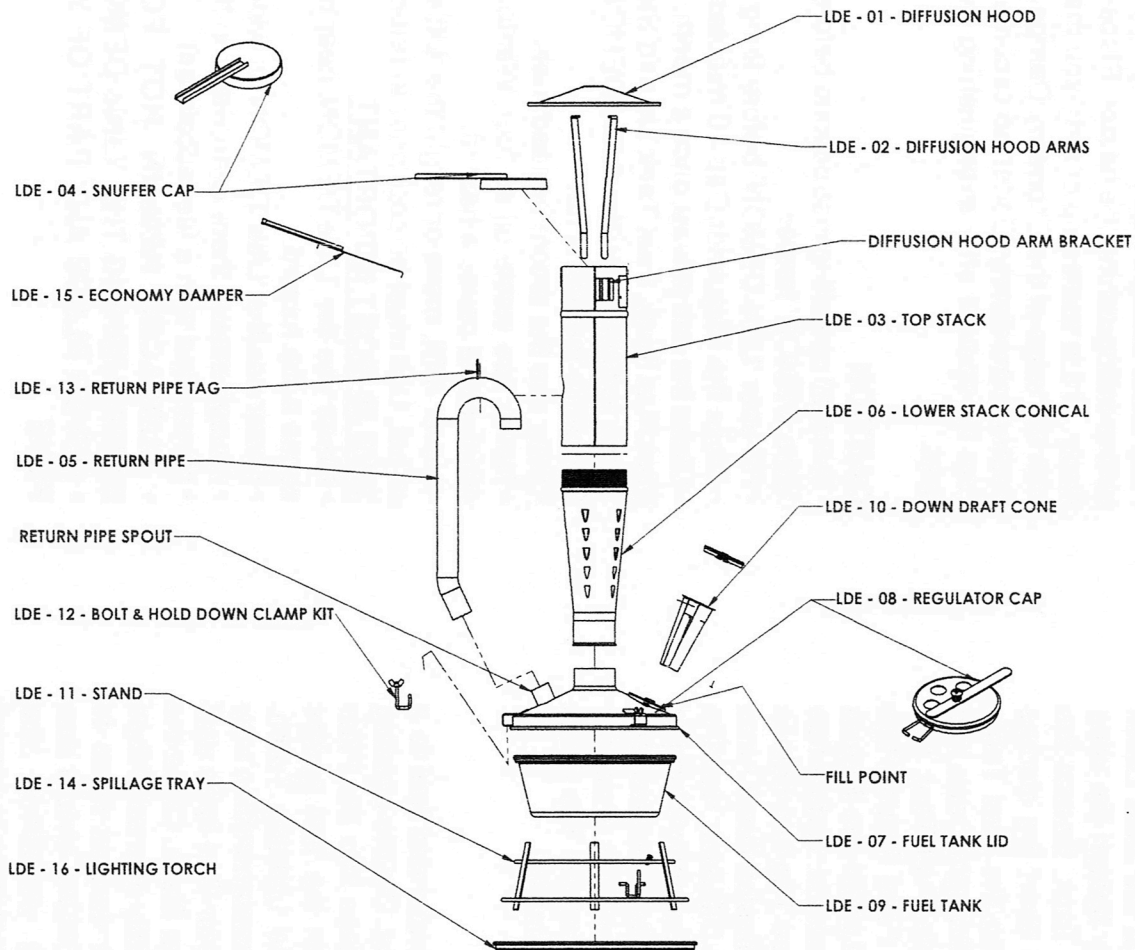


HENSTOCK TECHNOLOGIES PTY LTD

BUILDING 27, 1 LOBETHAL ROAD, LOBETHAL, SOUTH AUSTRALIA 5241
TELEPHONE: (08) 8389 5522 FAX: (08) 8389 5533

LITTLE DEMON PARTS DIAGRAM



SPECIFICATIONS

Total Height: 1.39 Metres
Floor Area: 0.51x0.51 Metres
Gross Weight: Approx-13kgs
Bowl Capacity: 12 Litres

Burns Domestic Heating Oil or Home Kerosene.
Heats approx: 200 Square Metres
Heat output up to 120,000 B.T.U's or 35Kw
One fill can last 6-8 hours

INSTRUCTIONS FOR ASSEMBLY AND FIRING OF YOUR 'Little DEMON' HEATER TO ASSEMBLE

Place the Spillage Tray on flat ground. Place the Stand on the Spillage Tray with the legs splayed out at the bottom. Place the Fuel Tank onto the Stand. Place the Fuel Tank Lid onto the Fuel Tank. Insert the Hold Down Clamps up through the Hold Down Clamp Brackets on the Fuel Tank Lid and firmly tighten the wing nuts to clamp the Fuel Tank Lid onto the Fuel Tank. Ensure the clamps are the correct orientation so that the short leg clamps under the lip of the Fuel Tank without damaging the Fuel Tank. Open the Regulator Cap and insert the Down Draught Cone into the Filler Hole. Install Lower Stack Conical onto Fuel Tank Lid. Install Top Stack onto the Lower Stack Conical. Feed Return Pipe through the hole in the side of the Top Stack. Locate the Return Pipe onto the Return Pipe Spout on the Fuel Tank Lid. Rotate flue so the Return Pipe is Vertical. Install Return Pipe Tag into hole in the Return Pipe and bolt to Top Stack. Install Diffusion Hood Arms in slots each side of the Top Stack and bolt the Diffusion Hood to the top of the Diffusion Hood Arms. Locate the Economy Damper and the Snuffer Cap. Ensure the Regulator Cap operates and when shut off, all the holes are closed and the handle is under the Regulator Cap Bracket on the lid. You can also bolt the Top Stack and the Lower Stack Conical together for extra stability.

FOR FIRING YOUR 'Little DEMON'

Open the Regulator Cap and fill with the recommended fuel to a maximum of 50mm below the Filler Hole opening. Dip the Lighting Torch in a small amount of fuel; ignite, and place into the Filler Hole so that it is just touching the fuel. When the fuel ignites remove the Lighting Torch and extinguish the Lighting Torch. (NOTE: Do not extinguish torch in water or fuel contamination may occur.) Allow the Heater to burn with the Regulator Cap open until the flame is coming freely from the top of the Top Stack. Close the Regulator Cap, leaving the three draught holes fully opened. When the unit is burning evenly, gradually close the draught holes to achieve the desired heat output. Your 'Little DEMON' should now burn quite evenly. According to prevailing conditions, the Regulator may be closed fully. If, when the Regulator is closed

fully, there is a surge of flame from the flue or the unit is burning too hot, place the Economy Damper provided with the unit over the top of the flue. This will eliminate all surges and reduce heat output.

TO EXTINGUISH YOUR 'Little DEMON'

Fully close draught holes on Regulator Cap for at least 10 minutes before extinguishing the heater. Place Snuffer Cap onto Top Stack firmly. If it is sooted up or dirty you may need to tap it into position with the edge of the Economy Damper. This should extinguish the heater immediately. Under no circumstances should the Regulator Cap be opened after extinguishing the heater **until** the heater is cold.

CAUTION

- Read all operating instructions before assembling and using your 'Little DEMON' heater
 - Fill your 'Little DEMON' before firing
 - Close the Regulator Cap 10 minutes before extinguishing
 - Clean the unit at least once a month. Remove all soot and carbon from Fuel Tank, Fuel Tank Lid and Stacks.
 - After extinguishing the 'Little DEMON' never open the Regulator Cap while the unit is hot.
 - Only use the recommended fuels
 - Never use waste oil as fuel. Waste oil may contain substances which could cause a hazard.
 - Never refill, move or relight the 'Little DEMON' while it is burning or hot. Unit must be cool prior to refuelling or relighting.
- THIS IS MOST IMPORTANT**
- Never use the 'Little DEMON' near materials or fluid which could cause a fire hazard.
 - Never use the 'Little DEMON' in windy conditions or in the rain.
 - Always ensure there is no water in the Fuel Tank before filling.
 - Never start with a fuel accelerator
 - **SURFACES REMAIN HOT FOR SOME TIME AFTER EXTINGUISHING THE 'Little DEMON'**
 - **NEVER PLACE ANY PART OF YOUR BODY ABOVE THE FLUE**